

Rated: Medium

YOU WILL NEED

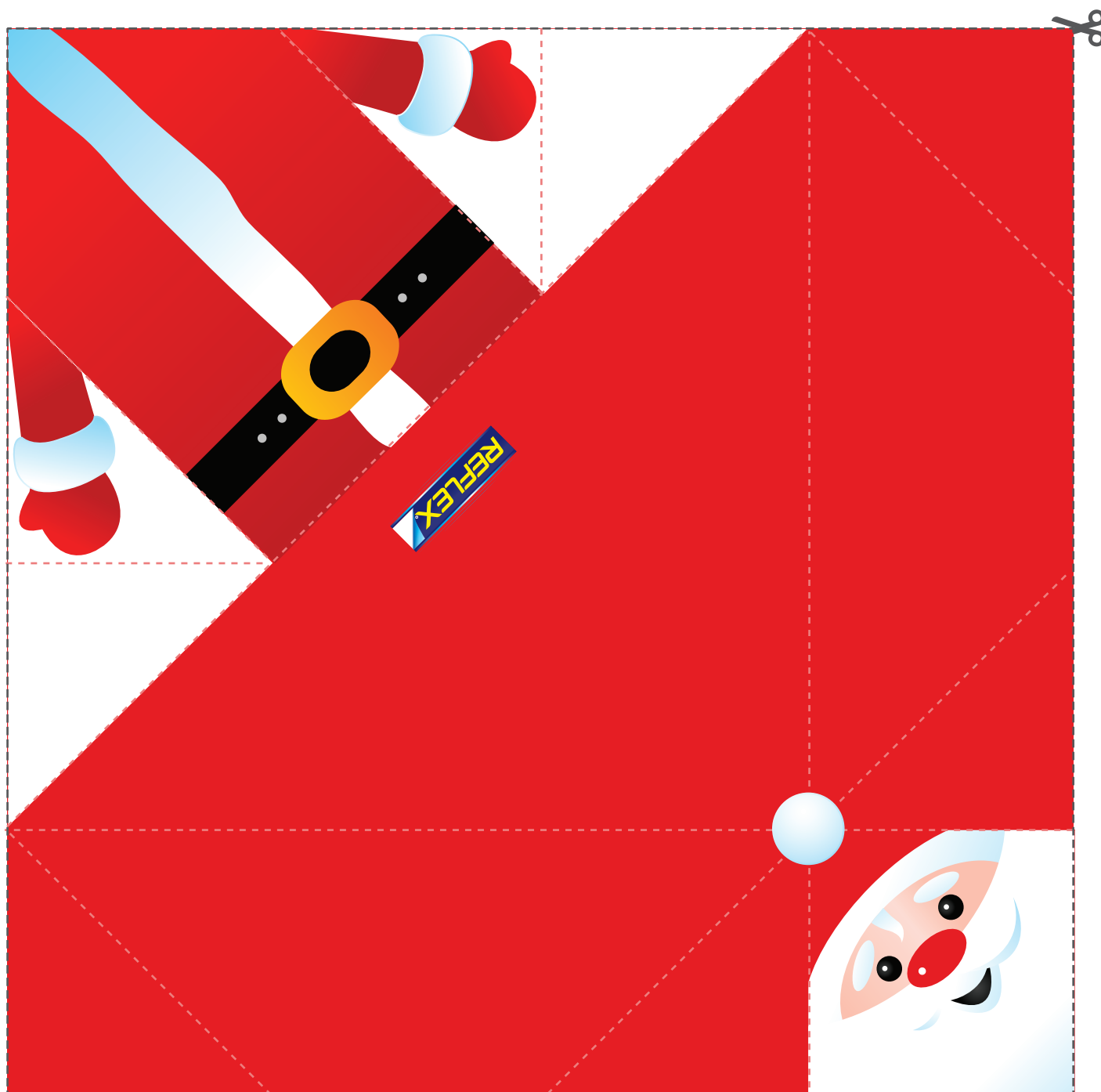
- ✓ Scissors
- ✓ 2 sheets of A4 Reflex paper

KIDS

- ✓ Get an adult to help you cut out the template and make your Santa

GETTING STARTED

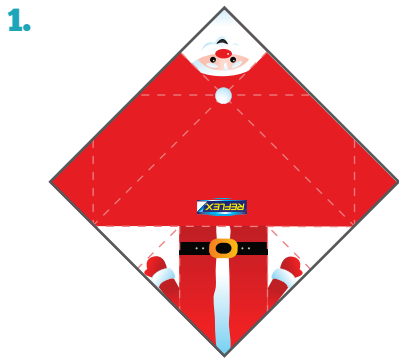
1. Print the template and instructions
2. Carefully cut out the template below (black dashed lines)
3. Then carefully follow the instructions on the next page to make your Santa



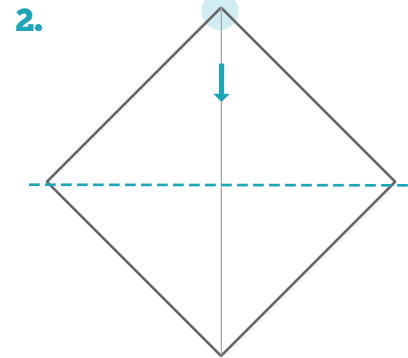
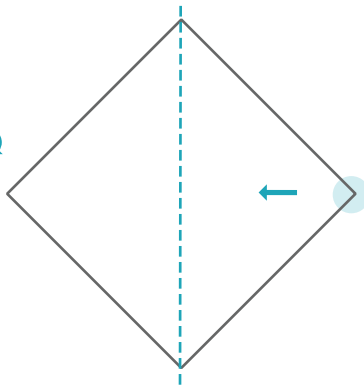
For better performance, always rely on Reflex.

Instructions

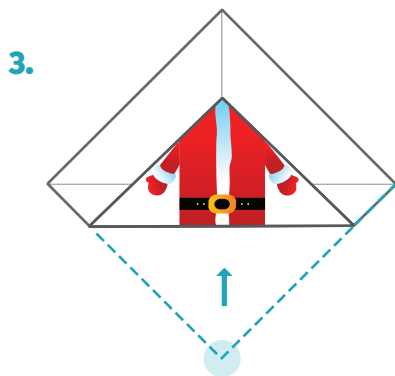
Once you have cut out the template you will have a square. Follow the folding instructions below to make your Santa.



1. Start with the template face up, then turn over to show the blank side. Fold in half, crease and unfold.



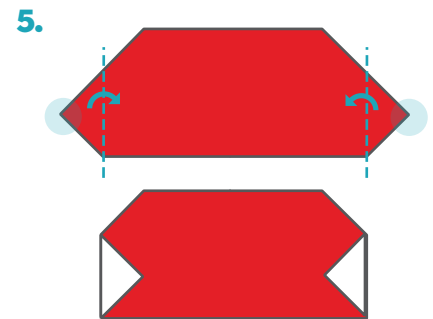
2. Now fold the top corner down to the bottom corner, crease and unfold.



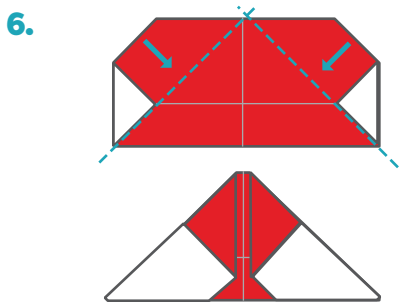
3. Fold the bottom corner up and use the template dashed line as a guide.



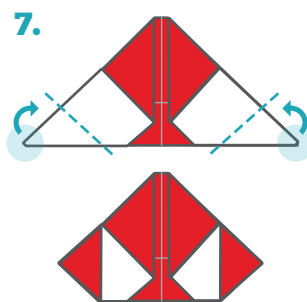
4. Fold the top corner down. Use dashed line as a guide.



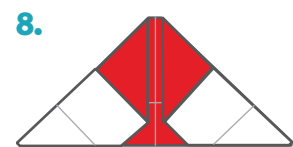
5. Flip over. Fold the edges in.



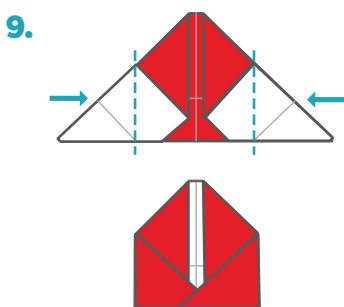
6. Fold the edges over so they meet with the bottom edge.



7. Fold the bottom corners up and use the dashed line as a reference.

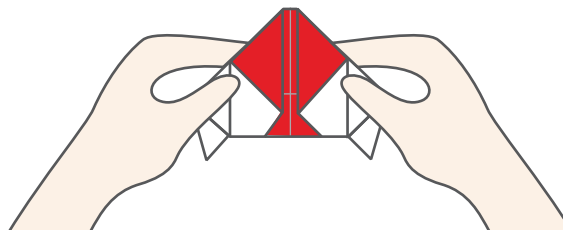


8. Unfold.



9. Fold the corners over so they meet with the bottom edge, then tuck one corner into the other.

10.



Hold the sides and pull out the edges to the side so that it looks like Santa is leaning slightly backwards.

11. FINISHED



Flip over and adjust so Santa sits on a flat surface.